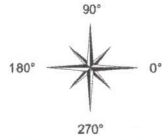
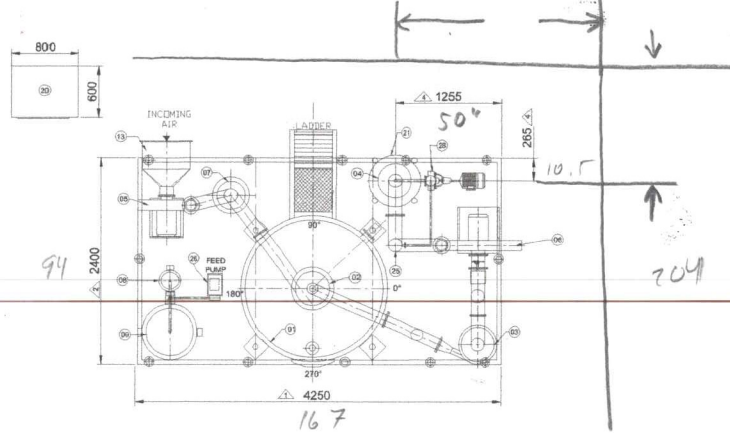


| REV | MODIFICATION | MADE | APPD | DATE |
|-----|--|-------|------|------------|
| 1 | CHANGE IN LENGTH 4500 TO 4250 OF STRUCTURE | AKASH | ✓ | 08/01/2022 |
| 2 | CHANGE IN WIDTH 2600 TO 2400 OF STRUCTURE | AKASH | ✓ | 08/01/2022 |
| 3 | EXHAUST DUCT ELEVATION SHOWN FROM 1) GROUND LEVEL TO EXHAUST DUCT TOP - 5095 MM 2) SKID LEVEL TO EXHAUST DUCT TOP - 4945 MM | AKASH | ✓ | 09/06/2022 |
| 4 | DIMENSIONS SHOWN FROM 1) BASE STRUCTURE TO SCRUBBER TANK CENTER - 1255 MM 2) BASE STRUCTURE TO SCRUBBER PUMP CENTER - 285 MM | AKASH | ✓ | 10/06/2022 |

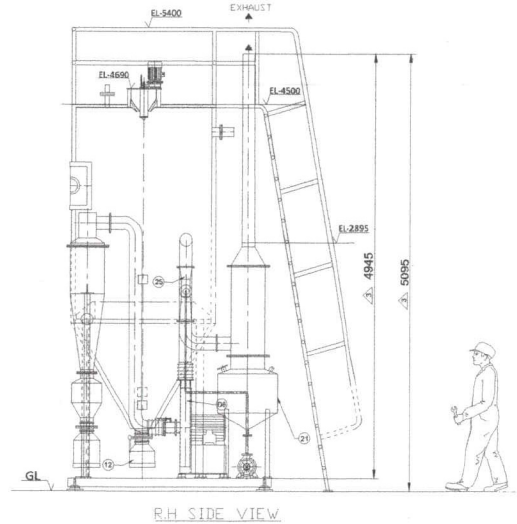
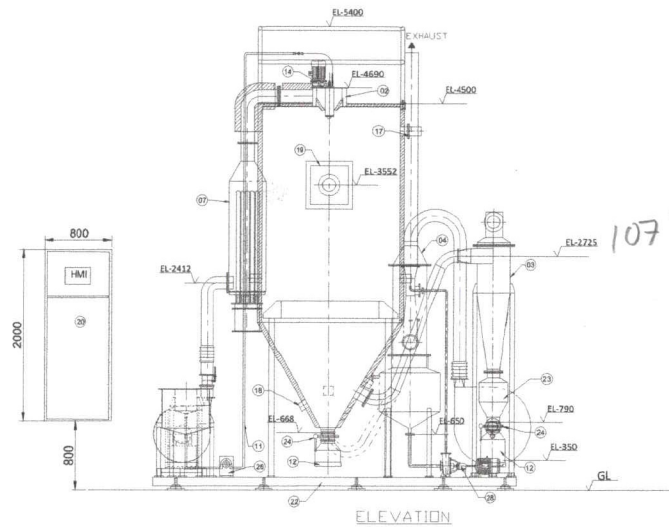
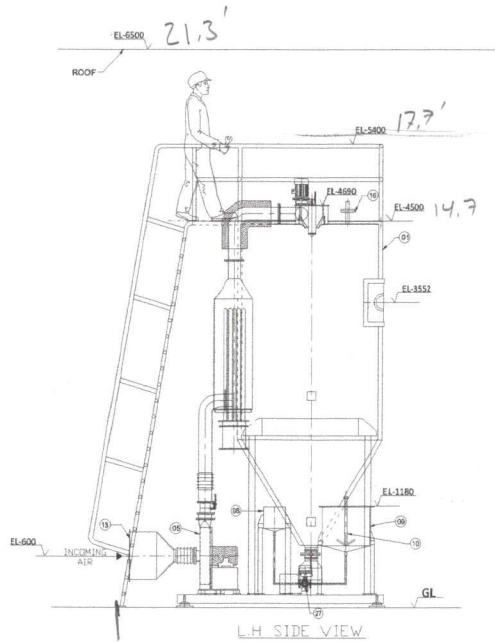


PLANT ORIENTATION



| POS. | DESCRIPTION | TAG NO | QTY | MATERIAL |
|------|--|----------|-----|--------------------|
| 01 | DRYING CHAMBER | SD-01 | 01 | SS 316/304 |
| 02 | AIR DISTRIBUTOR | AD-01 | 01 | SS 316 |
| 03 | CYCLONE | CY-01 | 01 | SS 316 |
| 04 | WET SCRUBBER | SC-01 | 01 | SS 304 |
| 05 | FD BLOWER | BL-01 | 01 | SS 316/304 |
| 06 | ID BLOWER | BL-02 | 01 | SS 316/304 |
| 07 | ELECTRICAL HEATER | EH-01 | 01 | SS 304 |
| 08 | WATER TANK | TK-01 | 01 | SS 316 |
| 09 | FEED TANK | TK-02 | 01 | SS 316 |
| 10 | AGITATOR | AG-01 | 01 | SS 316 |
| 11 | FEED ASSEMBLY | FA-01 | 01 | SS 316/SILICONE |
| 12 | PRODUCT BIN | PB 1,2&3 | 03 | SS 316 |
| 13 | AIR FILTER | AF-01 | 01 | SS 304 |
| 14 | ROTARY ATOMIZER | RA | 01 | SS 316/304 |
| 15 | NOZZLE LANCE (IN PLACE OF ROTARY ATOMIZER) | NL | 01 | SS 316 |
| 16 | RUPTURE DISC | RD-01 | 01 | SS 316/TEF/SS 316 |
| 17 | CHAMBER LAMP | CL-01 | 01 | SS 316 |
| 18 | PNEUMATIC HAMMER | PH | 05 | SS 304 |
| 19 | DOOR | D-01 | 01 | SS 316 |
| 20 | CONTROL PANEL | CP-01 | 01 | CS (POWDER COATED) |
| 21 | SCRUBBER TANK | TK-03 | 01 | SS 304 |
| 22 | SKID | SK-01 | 01 | SS 316 |
| 23 | VORTEX BREAKER | VB-01 | 01 | SS 316 |
| 24 | BUTTERFLY VALVE | BV-1,2&3 | 03 | SS 316 |
| 25 | VENTURI | VD-01 | 01 | SS 304 |
| 26 | PERISTALTIC PUMP | PU-01 | 01 | SS 316 |
| 27 | 3 WAY ACTUATED BALL VALVE | ABV-01 | 01 | SS 304 |
| 28 | SCRUBBER PUMP | PU-02 | 01 | SS 316 |

* ALL DIMENSION ARE IN MM



HEMRAJ ENGINEERING (INDIA) LLP

| | | |
|--|----------------------------|--|
| TITLE | PILOT SPRAY DRYER LAYOUT | MODEL NO : PSD02-2 |
| SRNO: | 4-2021-10-04 | CUSTOMER APPROVAL |
| CUSTOMER NAME | REDLEAF BIOLOGICS, INC. | <input type="checkbox"/> APPROVED |
| P.O. DATE | 26-10-2021 | <input type="checkbox"/> APPROVED WITH CHANGES |
| DRN: AKASH | DRG.NO:SD-4-RA-GA-A3-RL-02 | <input type="checkbox"/> NOT APPROVED-REVISE AND RE-SUBMIT |
| DATE: 08-01-2022 | | SIGNATURE: _____ DATE: _____ |
| NOTICE THIS DRAWING IS THE PROPERTY OF HEMRAJ ENGINEERING (INDIA) LLP AND MAY NOT BE REPRODUCED, SHOWN TO ANY OUTSIDE ORGANIZATION OR USED IN MANUFACTURE WITHOUT OUR EXPRESS WRITTEN CONSENT. | | REV: 0 SHEET SIZE: A3 SCALE: NTS |